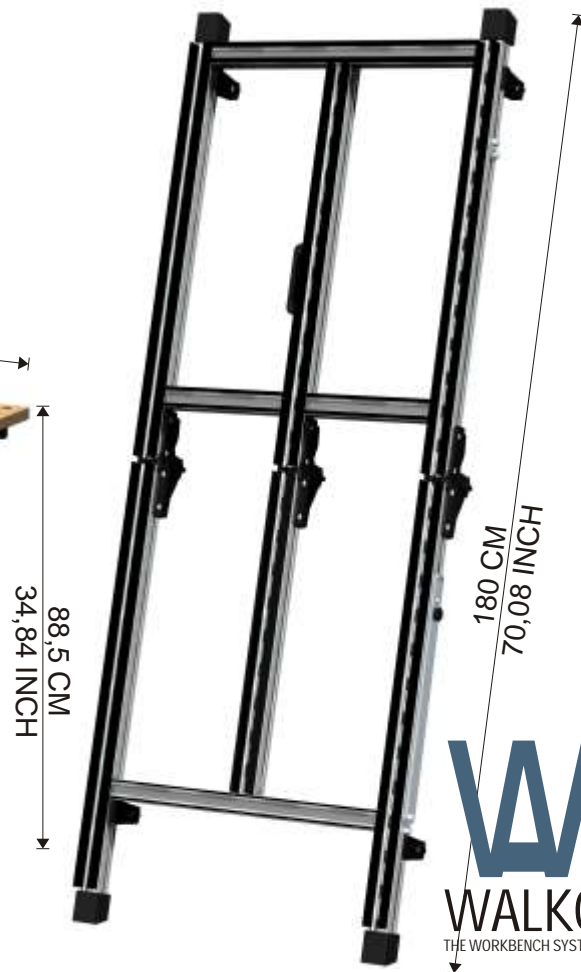


Specifications WALKO-3 MKII

THE FRAME : ANODISED ALUMINUM
METAL PARTS : ELECTROLYTIC GALVANIZED
TABLE TOPS : RUBBERWOOD 22 MM / 0.86 INCH
SPACERS : STROKE PROOF & SPLINTER FREE PE
HINGES : HIGH SOLID PA COMPOSITE 60/40
WEIGHT FRAME : 15 KG / 33 LBS
WEIGHT SET : 24,6 KG / 54,12 LBS

HEIGHT ADJUSTMENT ACCESSORIES PER 65 MM / 2,55 INCH
MAX LOAD PER TABLE 80KG / 176 LBS
FREE SAW DEPTH IN SPACERS 29 MM / 1,14 INCH



W
WALKO
THE WORKBENCH SYSTEM